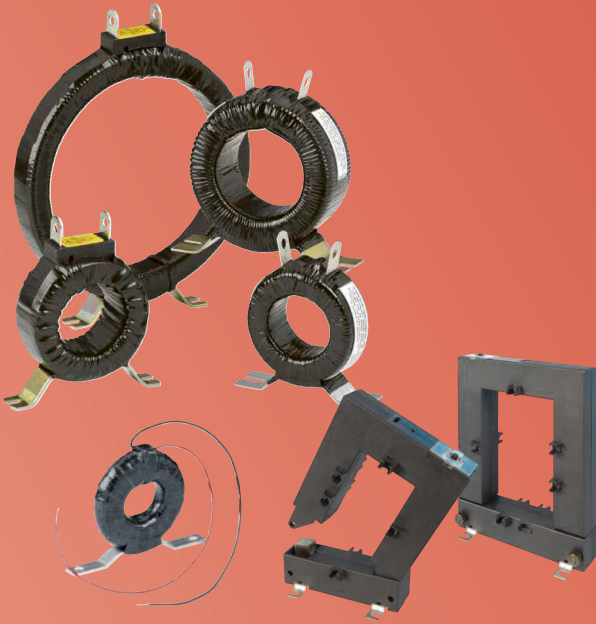
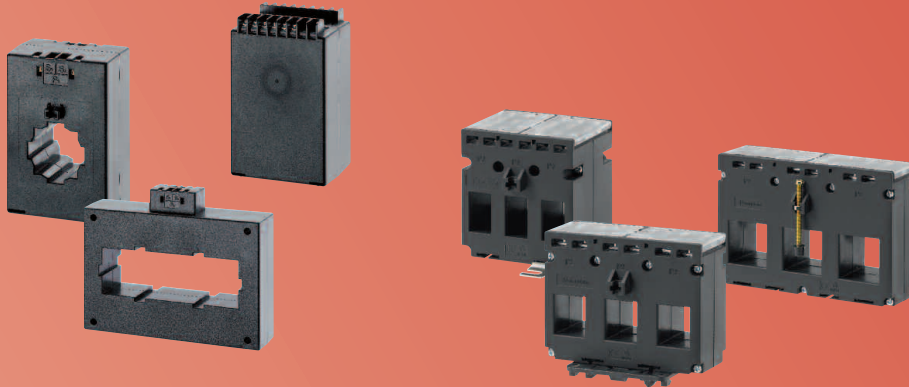


Tape Wound, Split Core and Ebony Current Transformers

Current Transformers



| Contents | Page |
|---|----------------|
| Tape Wound Measuring and Protection Current Transformers | 2 - 6 |
| Split Core Current Transformers | 7 - 9 |
| 3-in-1 Current Transformers | 10 - 11 |
| Ebony Moulded Case Current Transformers | 12 - 20 |
| Moulded Case Overview | 21 - 22 |



www.crompton-instruments.com

Customer service 0870 870 7500
(Fax 0870 240 5287)

For orders via email cromptonorders@te.com

For general enquiries crompton.info@te.com

For technical enquiries cromptontechnical@te.com

Tape Wound Measuring and Protection Current Transformers



MR Series Measuring Range

A comprehensive range of measuring ring current transformers for installation where reliability, accuracy and quality are required.



Features

- Available in a wide range of transformer ratings
- Accuracy up to Class 0.5
- Measuring or protective types

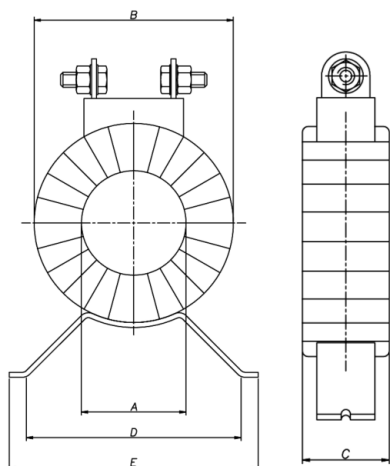
Benefits

- Long product life

Applications

- Switchgear
- Control panels
- Overload protection
- Control devices

Dimensions



* Thermal current (Ith) & dynamic current (Idyn).

Ith is the highest primary current (effective value), the Idyn is the highest primary current (peak value) that the CT can support for 1 second without damage, owing to excessive overloads with secondary short circuits.

Construction

High grade silicon iron cores are carefully selected, then insulated and protected by a polypropylene covering on which the secondary winding is toroidally wound by precision winding machines. Multi layers of polyester and PVC are then applied to provide a tough moisture resistant coating.

Specifications

| | |
|---------------------------------------|---|
| System voltage: | 720V maximum |
| Test voltage: | 3kV for 1 minute |
| System frequency: | 50/60Hz |
| Overload withstand: | 1.2 x rated current continuously |
| Short circuit thermal current (Ith)*: | 60 x rated primary current for 1 second |
| Dynamic current (Idyn)*: | = 2.55 x Ith |
| Service temperature: | -20°C to 70°C |
| Secondary current: | 5A or 1A |
| Complies with: | IEC60044-1, BSEN60044-1 |
| Saturation coefficient: | <6 |
| Humidity: | Up to 95% RH (non condensing) |
| Insulation class: | BSEN60085 Class Y |
| Mounting hardware: | Foot mounted |

Loss in copper wires between instrument and CT for 5A secondary

| Wire section in mm ² | Loss in VA (for both wires) | | | | | |
|---------------------------------|-----------------------------|------|------|------|------|------|
| | 1m | 2m | 4m | 6m | 8m | 10m |
| 1.5 | 0.60 | 1.19 | 2.38 | 3.57 | 4.76 | 5.95 |
| 2.5 | 0.36 | 0.71 | 1.43 | 2.14 | 2.86 | 3.57 |
| 4 | 0.22 | 0.45 | 0.89 | 1.34 | 1.79 | 2.23 |
| 6 | 0.15 | 0.30 | 0.60 | 0.89 | 1.19 | 1.49 |
| 10 | 0.09 | 0.18 | 0.36 | 0.54 | 0.71 | 0.89 |

Loss in copper wires between instrument and CT for 1A secondary

| Wire section in mm ² | Loss in VA (for both wires) | | | | | |
|---------------------------------|-----------------------------|------|------|------|------|------|
| | 10m | 20m | 40m | 60m | 80m | 100m |
| 1 | 0.36 | 0.71 | 1.43 | 2.14 | 2.86 | 3.57 |
| 1.5 | 0.24 | 0.48 | 0.95 | 1.43 | 1.90 | 2.38 |
| 2.5 | 0.14 | 0.29 | 0.57 | 0.86 | 1.14 | 1.43 |
| 4 | 0.09 | 0.18 | 0.36 | 0.54 | 0.71 | 0.89 |
| 6 | 0.06 | 0.12 | 0.24 | 0.36 | 0.48 | 0.60 |
| 10 | 0.04 | 0.07 | 0.14 | 0.21 | 0.29 | 0.36 |

MR Series Measuring Range

MR transformers are used to accurately measure high alternating primary currents, converting the primary current into a proportional secondary current as required for measurement and instrumentation. They are available in 5 amp or 1 amp secondary versions.



| Part number | Ratio range | Class 3 | Class 1 | Class 0.5 | A | B | C | D | Approx. weight |
|----------------|-------------|---------|---------|-----------|-----|-----|----|------|----------------|
| MR-28-40/5A | 40/5 | 1.5 | - | - | 28 | 70 | 40 | 77.5 | 0.5 |
| MR-28-50/5A | 50/5 | 2 | - | - | 28 | 70 | 40 | 77.5 | 0.5 |
| MR-28-60/5A | 60/5 | 2.5 | - | - | 28 | 70 | 40 | 77.5 | 0.5 |
| MR-28-40/1A | 40/1 | 1.5 | - | - | 22 | 60 | 50 | 70 | 0.5 |
| MR-28-50/1A | 50/1 | 2 | - | - | 22 | 60 | 40 | 70 | 0.5 |
| MR-28-60/1A | 60/1 | 2.5 | - | - | 22 | 60 | 40 | 70 | 0.5 |
| MR-42-80/5A | 80/5 | 1.5 | - | - | 42 | 80 | 30 | 86 | 0.5 |
| MR-42-100/5A | 100/5 | 3.75 | 1.25 | - | 42 | 80 | 30 | 86 | 0.5 |
| MR-42-150/5A | 150/5 | 5 | 2.5 | 1 | 42 | 80 | 30 | 86 | 0.5 |
| MR-42-200/5A | 200/5 | 7.5 | 5 | 2.5 | 42 | 80 | 30 | 86 | 0.5 |
| MR-42-250/5A | 250/5 | 10 | 5 | 2.5 | 42 | 80 | 30 | 86 | 0.5 |
| MR-42-80/1A | 80/1 | 1.5 | - | - | 40 | 72 | 26 | 70 | 0.5 |
| MR-42-100/1A | 100/1 | 5 | 1.5 | - | 40 | 72 | 45 | 70 | 0.5 |
| MR-42-150/1A | 150/1 | 5 | 3 | - | 40 | 72 | 40 | 70 | 0.5 |
| MR-42-200/1A | 200/1 | 7.5 | 5 | 3 | 40 | 72 | 40 | 70 | 0.5 |
| MR-42-250/1A | 250/1 | 10 | 7.5 | 2.5 | 40 | 72 | 40 | 70 | 0.5 |
| MR-45-300/5A | 300/5 | 10 | 7.5 | 3.75 | 45 | 80 | 30 | 86 | 0.5 |
| MR-45-400/5A | 400/5 | 15 | 7.5 | 5 | 45 | 80 | 30 | 86 | 0.5 |
| MR-45-300/1A | 300/1 | 10 | 10 | 5 | 45 | 83 | 32 | 100 | 0.5 |
| MR-45-400/1A | 400/1 | 15 | 10 | 5 | 45 | 83 | 32 | 100 | 0.5 |
| MR-60-400/5A | 400/5 | 15 | 7.5 | 5 | 60 | 100 | 30 | 86 | 0.5 |
| MR-60-500/5A | 500/5 | 15 | 10 | 5 | 60 | 100 | 30 | 86 | 0.5 |
| MR-60-600/5A | 600/5 | 20 | 10 | 7.5 | 60 | 100 | 30 | 86 | 0.5 |
| MR-60-400/1A | 400/1 | 15 | 7.5 | 5 | 58 | 100 | 30 | 100 | 0.5 |
| MR-60-500/1A | 500/1 | 20 | 15 | 5 | 58 | 100 | 32 | 100 | 0.5 |
| MR-60-600/1A | 600/1 | 20 | 15 | 10 | 58 | 100 | 32 | 100 | 0.5 |
| MR-85-800/5A | 800/5 | 20 | 10 | 7.5 | 85 | 124 | 30 | 86 | 0.5 |
| MR-85-1000/5A | 1000/5 | 30 | 15 | 10 | 85 | 124 | 30 | 86 | 1 |
| MR-85-1200/5A | 1200/5 | 30 | 15 | 10 | 85 | 124 | 30 | 86 | 1 |
| MR-85-1500/5A | 1500/5 | 30 | 15 | 10 | 85 | 124 | 30 | 86 | 1 |
| MR-85-1600/5A | 1600/5 | 30 | 15 | 10 | 85 | 124 | 30 | 86 | 1 |
| MR-85-800/1A | 800/1 | 20 | 15 | 10 | 84 | 122 | 30 | 100 | 0.5 |
| MR-85-1000/1A | 1000/1 | 25 | 20 | 15 | 94 | 135 | 30 | 100 | 1 |
| MR-85-1200/1A | 1200/1 | 25 | 20 | 15 | 94 | 135 | 30 | 100 | 1 |
| MR-85-1500/1A | 1500/1 | 25 | 20 | 15 | 94 | 135 | 30 | 100 | 1 |
| MR-85-1600/1A | 1600/1 | 25 | 20 | 15 | 94 | 135 | 30 | 100 | 1 |
| MR-125-2000/5A | 2000/5 | 30 | 20 | 15 | 125 | 160 | 30 | 86 | 1 |
| MR-125-2500/5A | 2500/5 | 30 | 20 | 15 | 125 | 160 | 30 | 86 | - |
| MR-125-3000/5A | 3000/5 | 30 | 20 | 15 | 125 | 160 | 30 | 86 | 1 |
| MR-125-4000/5A | 4000/5 | 30 | 20 | 15 | 125 | 160 | 30 | 86 | 1 |
| MR-125-2000/1A | 2000/1 | 25 | 20 | 15 | 132 | 175 | 30 | 150 | 1.5 |
| MR-125-2500/1A | 2500/1 | 25 | 20 | 15 | 132 | 175 | 30 | 150 | 1.5 |
| MR-125-3000/1A | 3000/1 | 25 | 20 | 15 | 125 | 180 | 32 | 150 | 1.5 |
| MR-125-4000/1A | 4000/1 | 25 | 20 | 15 | 140 | 215 | 45 | 150 | 4.5 |

Class PX Current Transformers

In some balanced protection systems where sensitivity and stability levels required are high, classes 5P10 or 10P10 may not be adequate. In these situations a Class PX current transformer will usually be specified. Class PX as defined in IEC60044-1/BSEN60044-1 allows the manufacturer of a protection device to detail more specific requirements of the current transformer so as to achieve a more sensitive protection scheme. Typically this will involve specifying the following information for the current transformer:

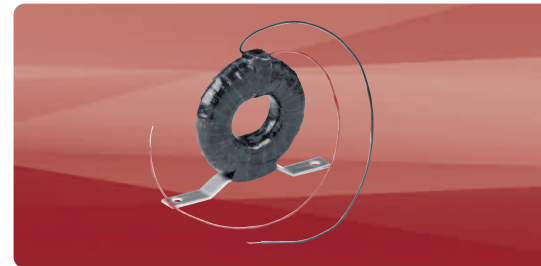
- 1) Turns ratio
- 2) Minimum kneepoint voltage
- 3) Maximum secondary resistance
- 4) Maximum excitation current at the rated minimum kneepoint voltage

To enquire about Class PX current transformers consult the factory with the above information together with any physical limiting dimensions and the aperture size required. If not all the above information is available, details of relay type, lead run from current transformer to relay and the fault current expected to flow through the zone protected by the current transformers will be required in order to provide a quotation.



Miniature Current Transformers

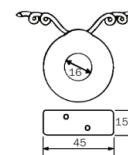
A range of Wedding ring Miniature Tape wound Current transformers whose size permits PCB mounting. Designed to convert high currents to low level electronic signals. Available in tape wound with ring or foot mounting versions or in a moulded case.



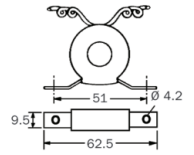
Specifications

| | |
|------------------------|-------------------|
| Primary current range: | 10A-100A |
| Secondary output: | 10mA-100mA |
| VA output: | 0.015VA-0.15VA |
| System frequency: | 50/60Hz |
| Service temperature: | 0°C to + 80°C |
| Insulation class: | BSEN60085 Class Y |
| Operating voltage: | 720V AC |
| Test voltage: | 2kV DC |
| Accuracy | |
| 20-80%: | 1.5% |
| 81-120%: | 1% |

Ring type (P)



Foot mounting option (F)



| Part number | Ratio range | Type |
|-------------|---------------------|---|
| 773-01-P-FL | 10A-100A/10mA-100mA | Ring type, flexible lead 150mm |
| 773-02-P-FL | 10A-100A/10mA-100mA | Ring type, flexible lead 450mm |
| 773-01-F-FL | 10A-100A/10mA-100mA | Ring type, foot mounting, flexible lead 150mm |



Moulded Case (MC)

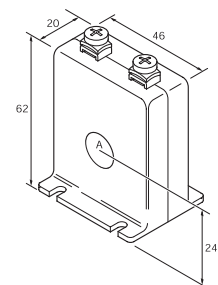
Specifications

| | |
|----------------------|-------------------|
| Service temperature: | -20°C to + 85°C |
| Insulation class: | BSEN60085 Class Y |

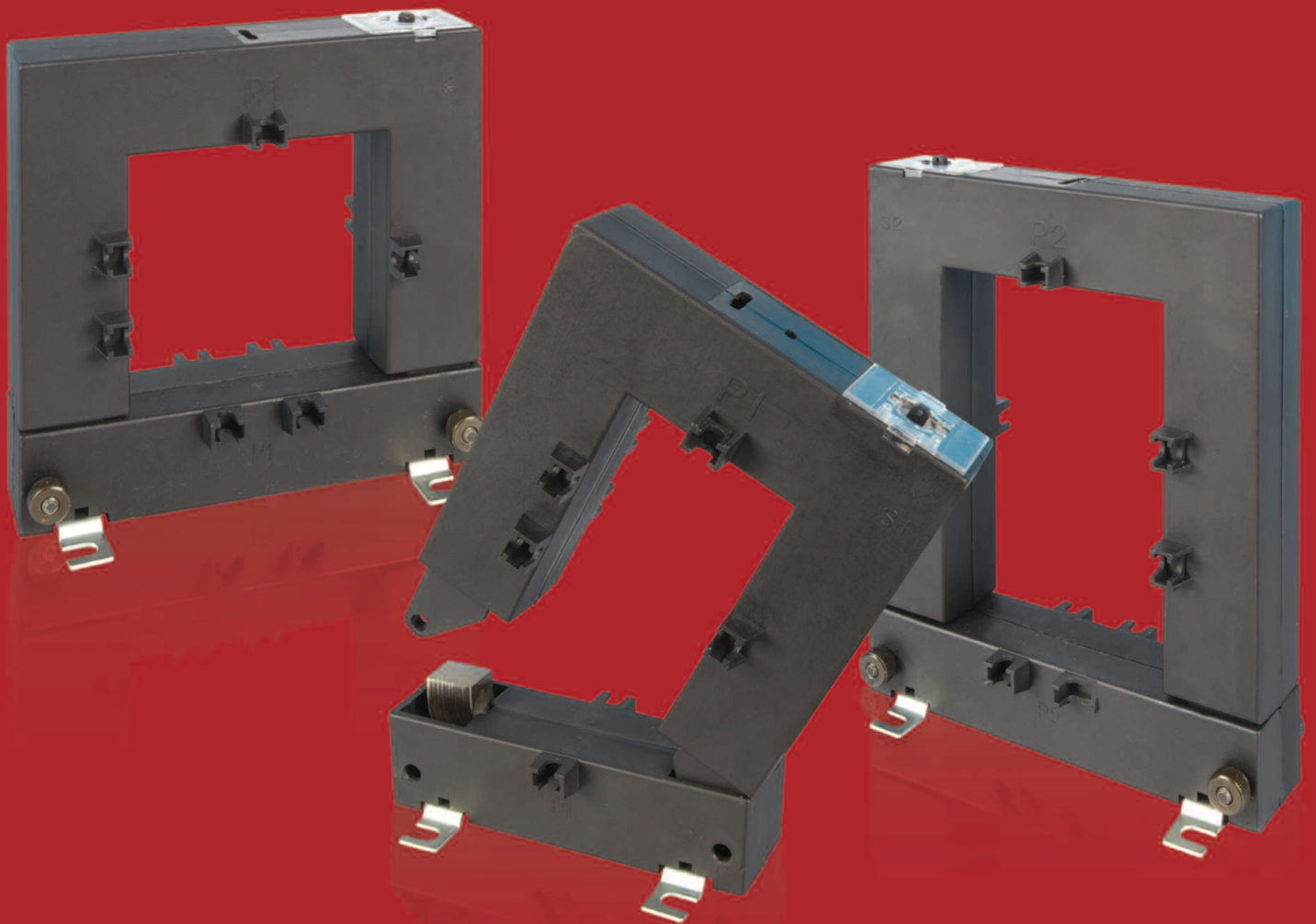
| Part number | Ratio range | Type |
|-------------|---------------------|--------------|
| 773-01-MC | 10A-100A/10mA-100mA | Moulded case |

Dimensions

A = 16mm transformer ratings
 Fixing centres 30mm x 30mm
 M3.5 terminal screw and clamp



Split Core Current Transformers

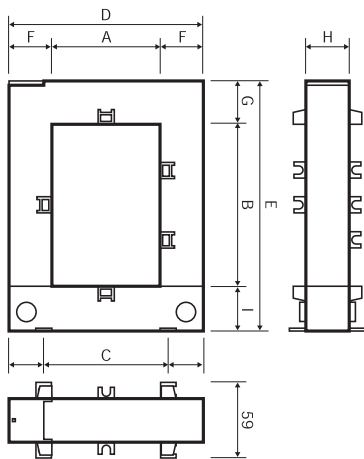


SC Series Split Core Current Transformers

A range of split core current transformers that offers a cost effective and efficient method by which the current can be measured without the need to break the conductor, thereby reducing installation and commissioning time.

Specifications

| | |
|------------------------|---|
| System voltage: | 720V (0.72kV) maximum |
| Test voltage: | 3kV for 1 minute |
| System frequency: | 50/60Hz |
| Insulation class: | E |
| Overload withstand: | 1.2 times rated current continuously |
| Short circuit thermal: | 100 x rated primary for 1 second |
| Operating temperature: | -20°C to +70°C |
| Relative humidity: | 0-90% (non condensing) |
| Compliant with: | IEC/EN60044-1, BS7626 |
| Accuracy: | Class 3, 1 & 0.5 |
| Mounting hardware: | Plug-in metal feet for wall or base mounting or moulded busbar mounting |
| Rated dynamic current: | = 2.55 x I _{ht} |
| Enclosure: | Flame retardant grade classified UL 94V-O |



Features

- High quality comprehensive measurements
- Available in a wide range of transformer ratings
- Accuracy up to Class 0.5
- Foot or busbar mounted

Benefits

- Faster installation
- Cost effective
- Long product life

Applications

- Switchgear
- Distribution systems
- Generator sets
- Control panels

| Model | Case 1 | Case 2 | Case 3 | Case 4 | Case 5 |
|--------------------|--------|--------|--------|--------|--------|
| A | 20 | 50 | 80 | 80 | 80 |
| B | 30 | 80 | 80 | 120 | 160 |
| C | 51 | 78 | 108 | 108 | 120 |
| D | 89 | 114 | 144 | 144 | 184 |
| E | 111 | 145 | 145 | 185 | 245 |
| F | 34 | 32 | 32 | 32 | 52 |
| G | 47 | 32 | 32 | 32 | 52 |
| H | 40 | 32 | 32 | 32 | 52 |
| I | 32 | 33 | 33 | 33 | 38 |
| Weight (Kg) | 0.75 | 0.90 | 1.05 | 1.25 | 4.30 |

Product Codes

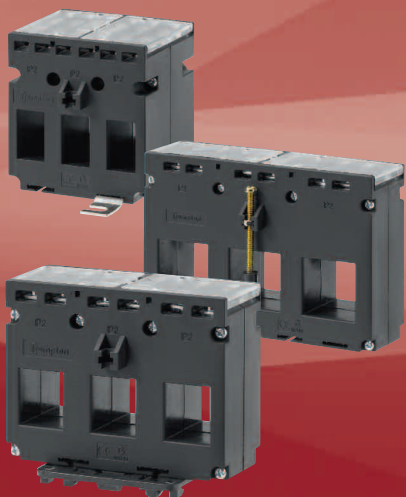
| | Part number | Ratio | Burden VA against class index | | | Aperture (mm) |
|--------|-------------|---------|-------------------------------|------|------|---------------|
| | | | 0.5 | 1 | 3 | |
| Case 1 | SC1-100/5A | 100/5A | - | - | 1.5 | 20 x 30 |
| | SC1-150/5A | 150/5A | - | - | 2 | 20 x 30 |
| | SC1-200/5A | 200/5A | - | 1.5 | 2.5 | 20 x 30 |
| | SC1-250/5A | 250/5A | - | 2 | 4 | 20 x 30 |
| | SC1-300/5A | 300/5A | 1.5 | 4 | 6 | 20 x 30 |
| | SC1-400/5A | 400/5A | 2.5 | 6 | 10 | 20 x 30 |
| Case 2 | SC2-250/5A | 250/5A | 1 | 2 | 4 | 50 x 80 |
| | SC2-300/5A | 300/5A | 1.5 | 3 | 6 | 50 x 80 |
| | SC2-400/5A | 400/5A | 1.5 | 3 | 10 | 50 x 80 |
| | SC2-500/5A | 500/5A | 2.5 | 5 | 15 | 50 x 80 |
| | SC2-600/5A | 600/5A | 2.5 | 5 | 15 | 50 x 80 |
| | SC2-750/5A | 750/5A | 3 | 6 | 20 | 50 x 80 |
| | SC2-800/5A | 800/5A | 3 | 7.5 | 20 | 50 x 80 |
| | SC2-1000/5A | 1000/5A | 5 | 10 | 20 | 50 x 80 |
| Case 3 | SC3-250/5A | 250/5A | 1 | 2 | 4 | 80 x 80 |
| | SC3-300/5A | 300/5A | 1.5 | 3 | 6 | 80 x 80 |
| | SC3-400/5A | 400/5A | 1.5 | 3 | 10 | 80 x 80 |
| | SC3-500/5A | 500/5A | 2.5 | 5 | 15 | 80 x 80 |
| | SC3-600/5A | 600/5A | 2.5 | 5 | 15 | 80 x 80 |
| | SC3-750/5A | 750/5A | 3 | 6 | 20 | 80 x 80 |
| | SC3-800/5A | 800/5A | 3 | 7.5 | 20 | 80 x 80 |
| | SC3-1000/5A | 1000/5A | 5 | 10 | 20 | 80 x 80 |
| Case 4 | SC4-500/5A | 500/5A | - | 4 | 12.5 | 80 x 120 |
| | SC4-600/5A | 600/5A | - | 5 | 15 | 80 x 120 |
| | SC4-750/5A | 750/5A | 2.5 | 6 | 17.5 | 80 x 120 |
| | SC4-800/5A | 800/5A | 3 | 7.5 | 20 | 80 x 120 |
| | SC4-1000/5A | 1000/5A | 5 | 10 | 20 | 80 x 120 |
| | SC4-1200/5A | 1200/5A | 6 | 12.5 | 25 | 80 x 120 |
| | SC4-1250/5A | 1250/5A | 7.5 | 15 | 30 | 80 x 120 |
| | SC4-1500/5A | 1500/5A | 8 | 17 | 30 | 80 x 120 |
| | SC4-1600/5A | 1600/5A | 8 | 17 | 30 | 80 x 120 |
| Case 5 | SC5-1000/5A | 1000/5A | 10 | 15 | 20 | 80 x 160 |
| | SC5-1250/5A | 1250/5A | 10 | 15 | 20 | 80 x 160 |
| | SC5-1500/5A | 1500/5A | 15 | 20 | 25 | 80 x 160 |
| | SC5-2000/5A | 2000/5A | 15 | 20 | 25 | 80 x 160 |
| | SC5-2500/5A | 2500/5A | 15 | 20 | 25 | 80 x 160 |
| | SC5-3000/5A | 3000/5A | 20 | 25 | 30 | 80 x 160 |
| | SC5-4000/5A | 4000/5A | 20 | 25 | 30 | 80 x 160 |
| | SC5-5000/5A | 5000/5A | 20 | 25 | 30 | 80 x 160 |
| | SC5-6000/5A | 6000/5A | 20 | 25 | 30 | 80 x 160 |

3-in-1 Current Transformers



3-in-1 Current Transformers

A range of 3-in-1 current transformers combine three traditional current transformers in one moulded case. 3-in-1 current transformers can be directly installed next to a three-phase moulded case circuit breaker, thus saving installation time where fitting three standard individual current transformers would be required. The M3N1 range of current transformers offers primary currents between 60-630A with 5A secondaries with up to Class 0.5 accuracy performance.



Features

- Cost effective three-phase moulded case
- Ratio's ranging from 60/5 to 630/5
- Integrated wire sealable terminal cover
- Busbar, DIN-rail and metal feet mounting hardware supplied
- Combined M4 posi/slot screw

Benefits

- Isolated output for safety
- Faster installation
- Compact size
- Ex-stock delivery

Applications

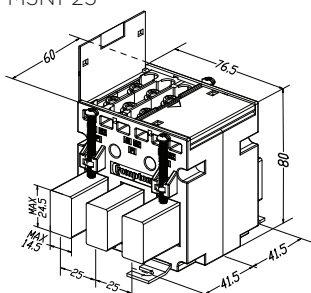
- Switchgear
- Distribution systems
- Generator sets
- Control panels

Specifications

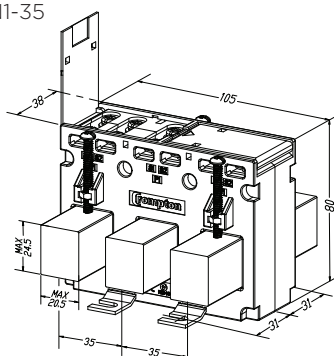
| | |
|--------------------------------|--|
| System voltage: | 720V maximum |
| Test voltage: | 3kV for 1 minute |
| System frequency: | 50Hz or 60Hz |
| Primary ratings: | 60A to 630A |
| Short circuit thermal current: | 60 x rated primary current (Ith): for 1 sec |
| Overload withstand: | 1.2 x rated current continuously |
| Rated dynamic current: | = 2.55 x Ith |
| Secondary terminals: | M4 screw terminals |
| Enclosure: | Flame retardant grade classified UL 94V-O |
| Aperture holes centres: | 25, 35, 45mm |
| Operating temperature: | -20°C to +85°C |
| Accuracy: | Class 0.5, 1, 3 |
| Mounting hardware: | Plug-in metal feet for wall or base mounting Busbar and DIN-rail mounting |
| Compliant with: | IEC/EN60044-1 |

| Part number | Ratio | Burden VA against class index | | | Aperture (mm) |
|---------------|-------|-------------------------------|---------|---------|---------------|
| | | Class 0.5 | Class 1 | Class 3 | |
| M3N1-25-60/5 | 60/5 | - | 1 | 2 | 3@15 x 25mm |
| M3N1-25-100/5 | 100/5 | - | 1.5 | 2.5 | 3@15 x 25mm |
| M3N1-25-125/5 | 125/5 | - | 1.5 | 2.5 | 3@15 x 25mm |
| M3N1-25-150/5 | 150/5 | 1.5 | 1.5 | 2.5 | 3@15 x 25mm |
| M3N1-25-160/5 | 160/5 | 1.5 | 1.5 | 2.5 | 3@15 x 25mm |
| M3N1-35-100/5 | 100/5 | - | 1.5 | 2 | 3@21 x 25mm |
| M3N1-35-125/5 | 125/5 | - | 1.5 | 2.5 | 3@21 x 25mm |
| M3N1-35-150/5 | 150/5 | - | 1.5 | 2.5 | 3@21 x 25mm |
| M3N1-35-160/5 | 160/5 | 1.5 | 1.5 | 2.5 | 3@21 x 25mm |
| M3N1-35-200/5 | 200/5 | 1.5 | 1.5 | 2.5 | 3@21 x 25mm |
| M3N1-35-250/5 | 250/5 | 1.5 | 1.5 | 2.5 | 3@21 x 25mm |
| M3N1-45-250/5 | 250/5 | 1.5 | 1.5 | 2.5 | 3@31 x 31mm |
| M3N1-45-300/5 | 300/5 | 2.5 | 2.5 | 3.75 | 3@31 x 31mm |
| M3N1-45-400/5 | 400/5 | 2.5 | 2.5 | 3.75 | 3@31 x 31mm |
| M3N1-45-500/5 | 500/5 | 2.5 | 2.5 | 3.75 | 3@31 x 31mm |
| M3N1-45-600/5 | 600/5 | 2.5 | 2.5 | 3.75 | 3@31 x 31mm |
| M3N1-45-630/5 | 630/5 | 2.5 | 2.5 | 3.75 | 3@31 x 31mm |

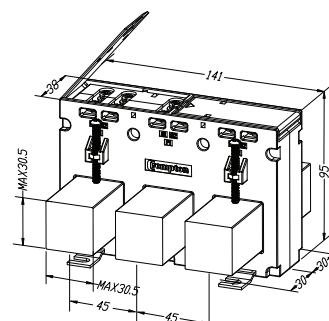
M3N1-25



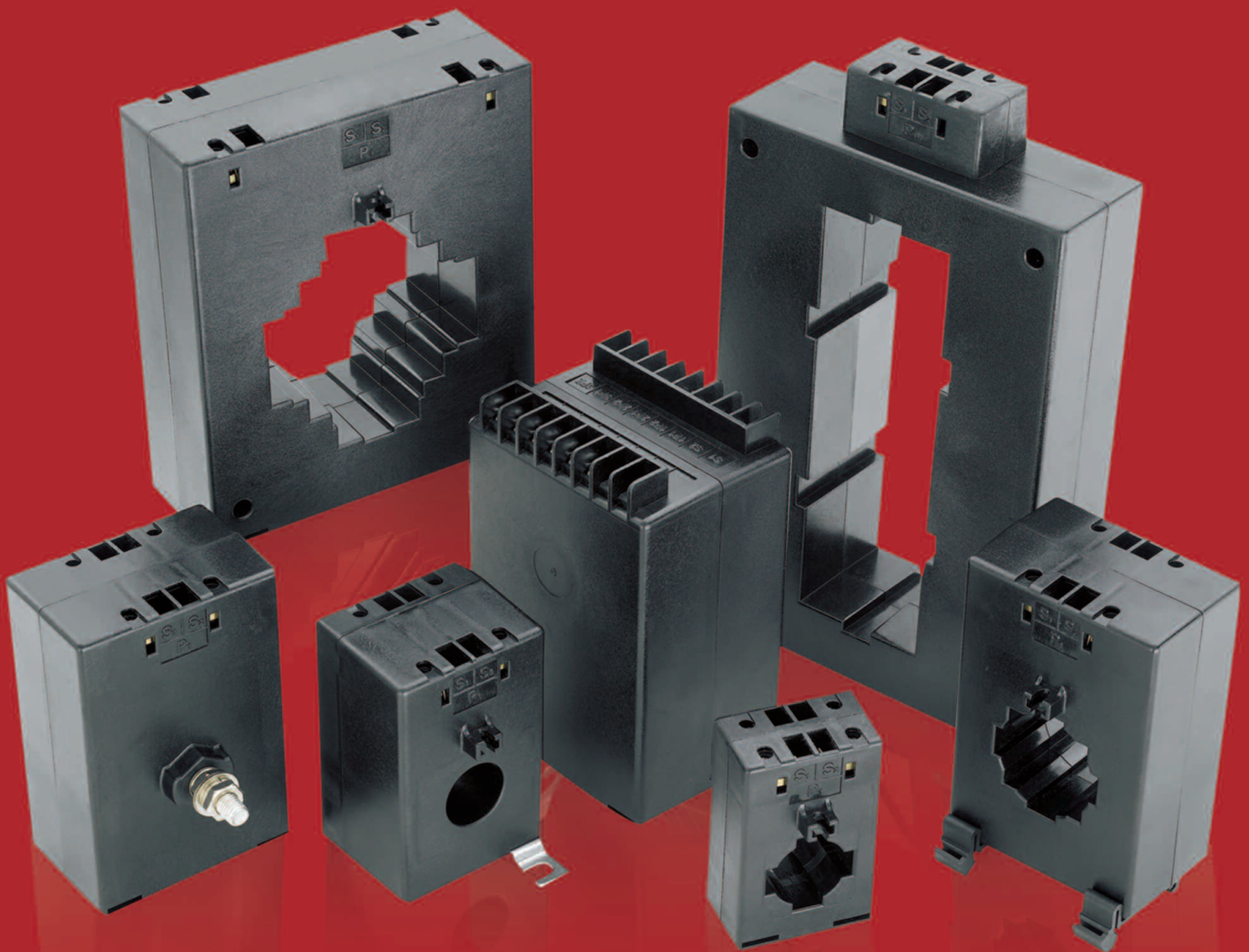
M3N1-35



M3N1-45



Ebony Moulded Case Current Transformers



Ebony Series Current Transformers

The range of Crompton Instruments Ebony current transformers offers wide system current ratings, apertures, busbar and case sizes to suit every application. Manufactured to meet EN60044 the range benefits include ratio rating from 1/5 to 6000/5, accuracy up to Class 0.5, integral terminal cover for safety and multiple mounting options.

Construction

The toroidal core and secondary winding is encapsulated by a self-extinguishing polycarbonate moulded case cover providing excellent mechanical strength and electrical insulation. The material is halogen free thus reducing risk of halogen emissions in case of fire. The integral covered secondary terminals offer protection to IP20B and the enclosure is protected to IP40.

Features

- CT ratios from 1A to 6000A with 5A and 1A secondaries
- Accuracy up to Class 0.5
- Integral terminal cover
- High impact, flame retardant moulded case
- Busbar, DIN-rail or foot mounting options

Benefits

- Wide range of apertures and case sizes
- Reduction of high currents for ease of metering
- Long product life

Approvals

- BSEN61010-1
- EN60044-1
- UL Recognized file no: E257877

* Thermal current (Ith) & dynamic current (Idyn)

Ith is the highest primary current (effective value), the Idyn is the highest primary current (Peak Value) that the CT can support for 1 second without damage, owing to excessive overloads with secondary short circuits.

Installation Options

- Plug-in metal feet for wall or base mounting
- Plastic DIN-rail clips for DIN-rail mounting
- Moulded busbar mounting
- Primary copper busbar mounting
- Multi busbar mounting for two busbars

Specifications

| | |
|---------------------------------------|---|
| System voltage: | 720V maximum |
| Test voltage: | 3kV for 1 minute |
| System frequency: | 50/60Hz |
| Short circuit thermal current (Ith)*: | 60 x rated primary current for 1 second |
| Overload withstand: | 1.2 x rated current continuously |
| Dynamic current (Idyn)*: | = 2.55 x Ith |
| Saturation coefficient: | <5 for through aperture models <10 for wound primary |
| Service temperature: | -20°C to 85°C |
| Insulation class: | Class E BS2757 IEC85 |
| Enclosure code: | IP40 |
| Integral terminal cover: | IP20B |
| Complies with: | IEC60044-1:2003 |
| Humidity: | Up to 95% RH (non condensing) |
| Secondary terminals screw clamp: | Up to 10mm ² cable |
| 'Fast On': | 6.3mm type |

Loss in copper wires between instrument and CT for 5A secondary

| Wire section in mm ² | Loss in VA (for both wires) | | | | | |
|---------------------------------|-----------------------------|------|------|------|------|------|
| | 1m | 2m | 4m | 6m | 8m | 10m |
| 1.5 | 0.60 | 1.19 | 2.38 | 3.57 | 4.76 | 5.95 |
| 2.5 | 0.36 | 0.71 | 1.43 | 2.14 | 2.86 | 3.57 |
| 4 | 0.22 | 0.45 | 0.89 | 1.34 | 1.79 | 2.23 |
| 6 | 0.15 | 0.30 | 0.60 | 0.89 | 1.19 | 1.49 |
| 10 | 0.09 | 0.18 | 0.36 | 0.54 | 0.71 | 0.89 |

Loss in copper wires between instrument and CT for 1A secondary

| Wire section in mm ² | Loss in VA (for both wires) | | | | | |
|---------------------------------|-----------------------------|------|------|------|------|------|
| | 10m | 20m | 40m | 60m | 80m | 100m |
| 1 | 0.36 | 0.71 | 1.43 | 2.14 | 2.86 | 3.57 |
| 1.5 | 0.24 | 0.48 | 0.95 | 1.43 | 1.90 | 2.38 |
| 2.5 | 0.14 | 0.29 | 0.57 | 0.86 | 1.14 | 1.43 |
| 4 | 0.09 | 0.18 | 0.36 | 0.54 | 0.71 | 0.89 |
| 6 | 0.06 | 0.12 | 0.24 | 0.36 | 0.48 | 0.60 |
| 10 | 0.04 | 0.07 | 0.14 | 0.21 | 0.29 | 0.36 |

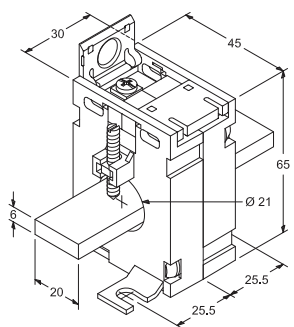
M53Q Range

Case Size: 45mm wide x 30mm deep x 65mm high
 1.8" wide x 1.2" deep x 2.5" high
 Aperture: 20 x 6mm and 21mm diameter
 0.8" x 0.2" and 0.8" diameter
 Weight: 0.25Kg

| Model type | Primary current | VA at Class 3 | VA at Class 1 |
|------------|-----------------|---------------|---------------|
| M53Q-50/5 | 50 | 1 | - |
| M53Q-60/5 | 60 | 1.25 | - |
| M53Q-75/5 | 75 | 1.5 | - |
| M53Q-80/5 | 80 | 1.25 | - |
| M53Q-100/5 | 100 | 2.5 | 1.5 |
| M53Q-125/5 | 125 | 3 | 2.5 |
| M53Q-150/5 | 150 | 3.75 | 2.5 |
| M53Q-200/5 | 200 | 5 | 3.75 |
| M53Q-250/5 | 250 | - | 5 |
| M53Q-300/5 | 300 | 7.5 | 5 |

Ordering Codes

| | |
|-------------|---|
| As above | Change end suffix to depict required secondary. For example: M53Q-50/1 |
| M30-DINCLIP | DIN-rail mounting clip for DIN-rail mounting option (2 required) |



- Mounting feet centres 26mm x 51mm

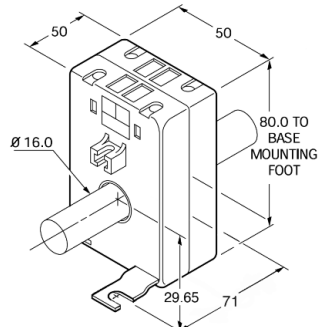
M55E Range

Case Size: 50mm wide x 50mm deep x 80mm high
 2" wide x 2" deep x 3.1" high
 Aperture: 15 x 5mm and 16 diameter
 0.6" x 0.2" diameter
 Weight: 0.4Kg

| Model type | Primary current | VA at Class 3 | VA at Class 1 |
|------------|-----------------|---------------|---------------|
| M55E-30/5 | 30 | 1.25 | - |
| M55E-40/5 | 40 | 2.5 | - |
| M55E-50/5 | 50 | 2.5 | - |
| M55E-60/5 | 60 | 3.75 | 2.5 |
| M55E-75/5 | 75 | 5 | 3.75 |
| M55E-80/5 | 80 | 5 | 3.75 |
| M55E-100/5 | 100 | 7.5 | 5 |

Ordering Codes

| | |
|-------------|---|
| As above | Change end suffix to depict required secondary. For example: M55E-50/1 |
| M50-DINCLIP | (2 required) |

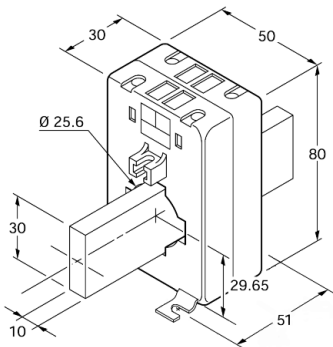


- Mounting feet centres 33mm x 71mm

M53J Range



Case Size: 50mm wide x 30mm deep x 80mm high
 2" wide x 1.2" deep x 3.1" high
 Aperture: 30 x 10mm, 25 x 15mm and 20 x 20mm and 25mm diameter
 1.2" x 0.4", 1" x 0.6" and 0.8" x 0.8" and 1.0" diameter
 Weight: 0.22Kg



- Mounting feet centres 33mm x 51mm

| Model type | Primary current | VA at Class 3 | VA at Class 1 |
|------------|-----------------|---------------|---------------|
| M53J-100/5 | 100 | 1.25 | - |
| M53J-125/5 | 125 | 1.25 | - |
| M53J-150/5 | 150 | 2.5 | - |
| M53J-160/5 | 160 | 2.5 | - |
| M53J-200/5 | 200 | 2.5 | 2.5 |
| M53J-250/5 | 250 | 3.75 | 2.5 |
| M53J-300/5 | 300 | 5 | 3.75 |
| M53J-400/5 | 400 | 7.5 | 3.75 |

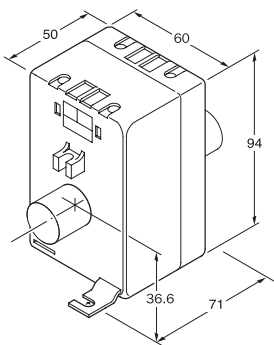
Ordering Codes

| | |
|-------------|--|
| As above | Change end suffix to depict required secondary. For example: M53J-150/1 |
| M30-DINCLIP | DIN-rail mounting clip for DIN-rail mounting option (2 required) |

M65F Range



Case Size: 60mm wide x 50mm deep x 94mm high
 2.4" wide x 2" deep x 3.7" high
 Aperture: 20 x 10mm and 23mm diameter
 0.8" x 0.4", 0.9" diameter
 Weight: 0.4Kg



- Mounting feet centres 42mm x 71mm

| Model type | Primary current | VA at Class 3 | VA at Class 1 | VA at Class 0.5 |
|------------|-----------------|---------------|---------------|-----------------|
| M65F-30/5 | 30 | 1.25 | - | - |
| M65F-40/5 | 40 | 2.5 | - | - |
| M65F-50/5 | 50 | 2.5 | - | - |
| M65F-60/5 | 60 | 3.75 | - | - |
| M65F-75/5 | 75 | 5 | 2.5 | - |
| M65F-80/5 | 80 | 5 | 2.5 | - |
| M65F-100/5 | 100 | 7.5 | 5 | 2.5 |
| M65F-125/5 | 125 | 7.5 | 5 | 2.5 |
| M65F-150/5 | 150 | 15 | 10 | 5 |
| M65F-200/5 | 200 | 20 | 15 | 7.5 |
| M65F-250/5 | 250 | 20 | 20 | 10 |
| M65F-300/5 | 300 | 30 | 30 | 10 |

Ordering Codes

| | |
|-------------|--|
| As above | Change end suffix to depict required secondary. For example: M65F-150/1 |
| M50-DINCLIP | DIN-rail mounting clip for DIN-rail mounting option (2 required) |

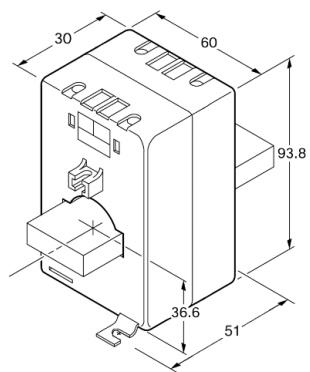
M63N Range

Case Size: 60mm wide x 30mm deep x 94mm high
 2.3" wide x 1.2" deep x 3.7" high
 Aperture: 40 x 10mm and 32mm diameter
 1.5" x 0.4" and 1.2" diameter
 Weight: 0.3Kg

| Model type | Primary current | VA at Class 3 | VA at Class 1 | VA at Class 0.5 |
|------------|-----------------|---------------|---------------|-----------------|
| M63N-200/5 | 200 | 2.5 | - | - |
| M63N-250/5 | 250 | 3.75 | 2.5 | - |
| M63N-300/5 | 300 | 5 | 3.75 | - |
| M63N-400/5 | 400 | 7.5 | 5 | - |
| M63N-500/5 | 500 | 10 | 7.5 | 3.75 |
| M63N-600/5 | 600 | 10 | 7.5 | 5 |
| M63N-750/5 | 750 | 15 | 10 | 7.5 |
| M63N-800/5 | 800 | 15 | 10 | 7.5 |

Ordering Codes

| | |
|-------------|--|
| As above | Change end suffix to depict required secondary. For example: M53J-150/1 |
| M30-DINCLIP | DIN-rail mounting clip for DIN-rail mounting option (2 required) |



• Mounting feet centres
42mm x 51mm

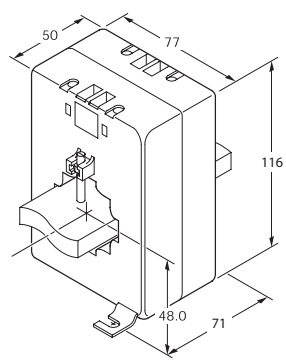
MA5G Range

Case Size: 77mm wide x 50mm deep x 116mm high
 3" wide x 2" deep x 4.5" high
 Aperture: 40 x 10mm, 30 x 30mm and 36mm diameter
 1.6" x 0.4", 1.2" x 1.2" and 1.4" diameter
 Weight: 0.6Kg

| Model type | Primary current | VA at Class 3 | VA at Class 1 | VA at Class 0.5 |
|-------------|-----------------|---------------|---------------|-----------------|
| MA5G-100/5 | 100 | 2.5 | - | - |
| MA5G-125/5 | 125 | 5 | 2.5 | - |
| MA5G-150/5 | 150 | 5 | 3.75 | - |
| MA5G-200/5 | 200 | 10 | 5 | 2.5 |
| MA5G-250/5 | 250 | 10 | 7.5 | 5 |
| MA5G-300/5 | 300 | 10 | 7.5 | 5 |
| MA5G-400/5 | 400 | 10 | 7.5 | 5 |
| MA5G-500/5 | 500 | 10 | 7.5 | 5 |
| MA5G-600/5 | 600 | 10 | 10 | 7.5 |
| MA5G-750/5 | 750 | 15 | 10 | 10 |
| MA5G-800/5 | 800 | 15 | 10 | 10 |
| MA5G-1000/5 | 1000 | 20 | 15 | 15 |

Ordering Codes

| | |
|-------------|--|
| As above | Change end suffix to depict required secondary. For example: MA5G-150/1 |
| M50-DINCLIP | DIN-rail mounting clip for DIN-rail mounting option (2 required) |

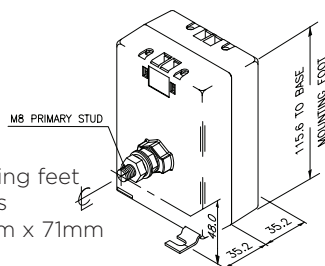


• Mounting feet centres
58.5mm x 71mm

Consult factory for availability and lead time on 1A secondary.

MA5Y Range

Case Size: 77mm wide x 50mm deep x 116mm high
 3" wide x 2" deep x 4.5" high
 Fixing: M8 stud primary bar
 Weight: 0.45Kg



• Mounting feet centres 58.5mm x 71mm

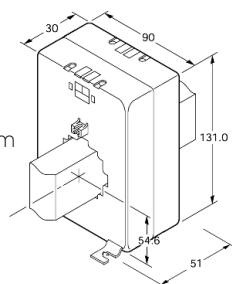
| Model type | Primary current | VA at Class 3 | VA at Class 1 |
|------------|-----------------|---------------|---------------|
| MA5Y-1/5 | 1 | 7.5 | 5 |
| MA5Y-5/5 | 5 | 7.5 | 5 |
| MA5Y-10/5 | 10 | 7.5 | 5 |
| MA5Y-15/5 | 15 | 7.5 | 5 |
| MA5Y-20/5 | 20 | 7.5 | 5 |
| MA5Y-30/5 | 30 | 7.5 | 5 |
| MA5Y-40/5 | 40 | 7.5 | 5 |

Ordering Codes

As above Change end suffix to depict required secondary.
 For example: MA5Y-1/1
 M50-DINCLIP DIN-rail mounting clip for DIN-rail mounting option (2 required)

M93L Range

Case Size: 90mm wide x 30mm deep x 131mm high
 3.5" wide x 1.2" deep x 5.1" high
 Aperture: 50 x 10mm, 40 x 30mm and 42mm diameter
 2" x 0.4", 1.5" x 1.2" and 1.6" diameter
 Weight: 0.45Kg



• Mounting feet centres 71.5mm x 51mm

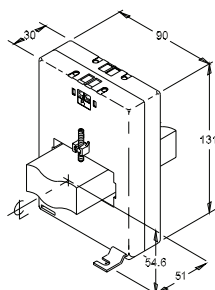
| Model type | Primary current | VA at Class 3 | VA at Class 1 | VA at Class 0.5 |
|-------------|-----------------|---------------|---------------|-----------------|
| M93L-400/5 | 400 | 15 | 7.5 | 3.75 |
| M93L-500/5 | 500 | 20 | 15 | 5 |
| M93L-600/5 | 600 | 30 | 20 | 10 |
| M93L-750/5 | 750 | 20 | 15 | 7.5 |
| M93L-800/5 | 800 | 20 | 15 | 10 |
| M93L-1000/5 | 1000 | 20 | 20 | 15 |
| M93L-1200/5 | 1200 | 30 | 30 | 20 |
| M93L-1250/5 | 1250 | 30 | 30 | 20 |
| M93L-1500/5 | 1500 | 30 | 30 | 20 |
| M93L-1600/5 | 1600 | 30 | 30 | 20 |

Ordering Codes

As above Change end suffix to depict required secondary.
 For example: M93L-1000/1
 M30-DINCLIP DIN-rail mounting clip for DIN-rail mounting option (2 required)

M93R Range

Case Size: 90mm wide x 30mm deep x 131mm high
 3.5" wide x 1.2" deep x 5.1" high
 Aperture: 64 x 12.6mm, 60 x 30mm
 2.5" x 0.5", 2.4" x 1.2"
 Weight: 0.6Kg



• Mounting feet centres 71.5mm x 51mm

| Model type | Primary current | VA at Class 3 | VA at Class 1 | VA at Class 0.5 |
|------------|-----------------|---------------|---------------|-----------------|
| M93R | 800/5 | 10 | 10 | 5 |
| M93R | 1000/5 | 10 | 10 | 7.5 |
| M93R | 1200/5 | 10 | 15 | 10 |
| M93R | 1250/5 | 10 | 15 | 10 |
| M93R | 1500/5 | 10 | 20 | 15 |
| M93R | 1600/5 | 10 | 20 | 15 |
| M93R | 2000/5 | 10 | 20 | 20 |

Ordering Codes

As above Change end suffix to depict required secondary.
 For example: M93R-1000/1
 M30-DINCLIP DIN-rail mounting clip for DIN-rail mounting option (2 required)

M93S Range

Case Size: 90mm wide x 30mm deep x 131mm high
 3.5" wide x 1.2" deep x 5.1" high

Aperture: 76.5 x 19mm, 60 x 30mm
 3.0" x 0.7", 2.4" x 1.2"

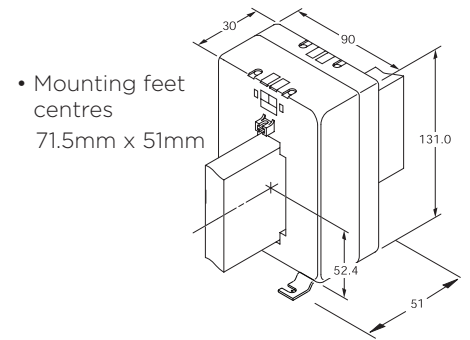
Weight: 0.7Kg

| Model type | Primary current | VA at Class 3 | VA at Class 1 | VA at Class 0.5 |
|--------------|-----------------|---------------|---------------|-----------------|
| M93S-800/5A | 800 | 10 | 10 | 5 |
| M93S-1000/5A | 1000 | 150 | 10 | 7.5 |
| M93S-1200/5A | 1200 | 20 | 15 | 10 |
| M93S-1250/5A | 1250 | 20 | 20 | 15 |
| M93S-1500/5A | 1500 | 20 | 20 | 15 |
| M93S-1600/5A | 1600 | 30 | 20 | 15 |
| M93S-2000/5 | 2000 | 30 | 20 | 15 |

Ordering Codes

As above Change end suffix to depict required secondary.
 For example: M93S-1000/1

M30-DINCLIP DIN-rail mounting clip for DIN-rail mounting option (2 required)



S95P Range

Case Size: 90mm wide x 50mm deep x 144mm high
 3.5" wide x 2" deep x 5.7" high

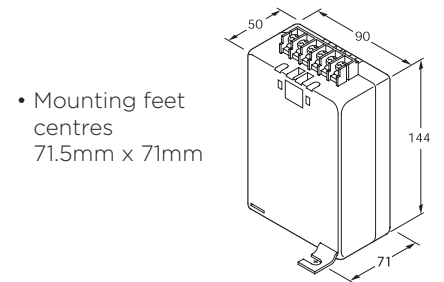
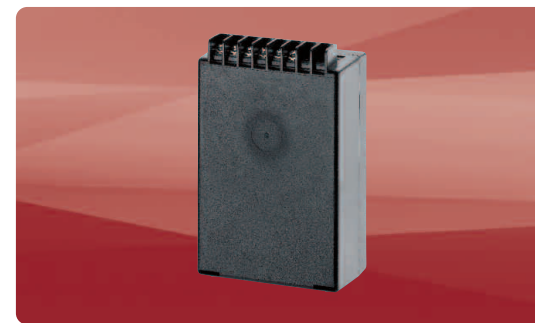
Weight: 0.9Kg - 1.1Kg

| Model type | Primary current | VA at Class 1 |
|------------|-----------------|---------------|
| S95P-5/5 | 5 + 5 = 5 | 5 |
| S95P-5/5/5 | 5 + 5 + 5 = 5 | 5 |

Ordering Codes

As above Change end suffix to depict required secondary.
 For example: S95P-1/1

M50-DINCLIP DIN-rail mounting clip for DIN-rail mounting option (2 required)



S97P Range

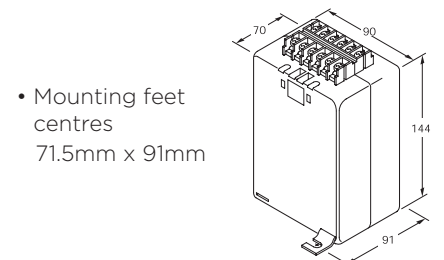
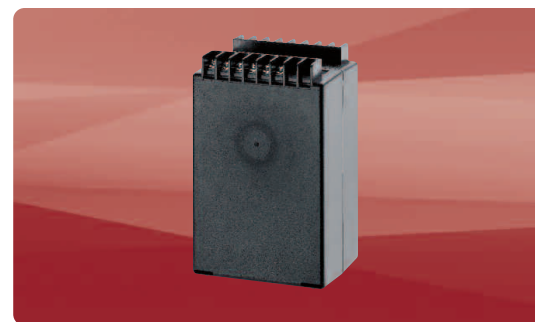
Case Size: 90mm wide x 50mm deep x 144mm high
 3.5" wide x 2" deep x 5.7" high

Weight: 0.9Kg - 1.1Kg

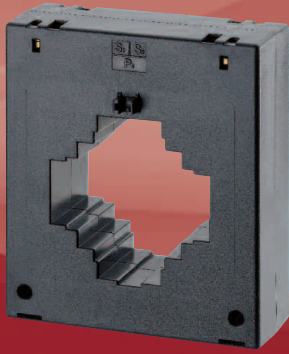
| Model type | Primary current | VA at Class 1 |
|------------------|---------------------------|---------------|
| S97P-5/5/5/5 | 5 + 5 + 5 + 5 = 5 | 5 |
| S97P-5/5/5/5/5 | 5 + 5 + 5 + 5 + 5 = 5 | 5 |
| S97P-5/5/5/5/5/5 | 5 + 5 + 5 + 5 + 5 + 5 = 5 | 5 |

Ordering Codes

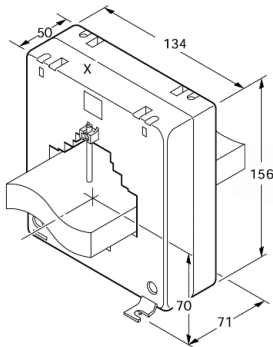
As above Change end suffix to depict required secondary.
 For example: S95P-1/1



MB5D Range



Case Size: 134mm wide x 50mm deep x 156mm high
 5.2" wide x 2" deep x 6.1" high
 Aperture: 80 x 30mm, 60 x 30mm, 50 X 50mm and 63mm diameter
 3.1" x 1.2", 2.3" x 1.2", 2 x 2" and 2.4" diameter
 Weight: 0.5Kg



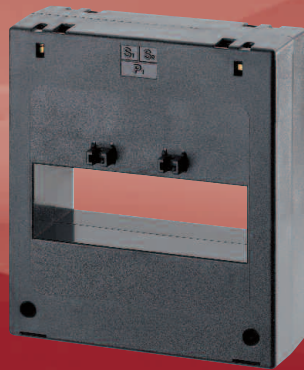
- Mounting feet centres 105mm x 71mm
- Mounting hole centres 110mm x 6.6mm

| Model type | Primary current | VA at Class 3 | VA at Class 1 | VA at Class 0.5 |
|-------------|-----------------|---------------|---------------|-----------------|
| MB5D-400/5 | 400 | 15 | 10 | 7.5 |
| MB5D-500/5 | 500 | 20 | 15 | 10 |
| MB5D-600/5 | 600 | 15 | 10 | 5 |
| MB5D-750/5 | 750 | 15 | 10 | 5 |
| MB5D-800/5 | 800 | 20 | 15 | 7.5 |
| MB5D-1000/5 | 1000 | 22.5 | 20 | 10 |
| MB5D-1200/5 | 1200 | 30 | 20 | 15 |
| MB5D-1250/5 | 1250 | 30 | 20 | 15 |
| MB5D-1500/5 | 1500 | 30 | 20 | 15 |
| MB5D-1600/5 | 1600 | 40 | 30 | 20 |
| MB5D-2000/5 | 2000 | 50 | 40 | 30 |

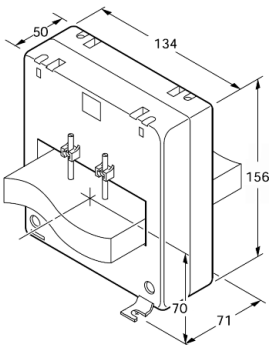
Ordering Codes

As above Change end suffix to depict required secondary.
 For example: MB5D-1600/1

MB5Z Range



Case Size: 134mm wide x 50mm deep x 156mm high
 5.2" wide x 2" deep x 6.1" high
 Aperture: 104 x 35mm, 35mm diameter
 4" x 1.3" and 1.3" diameter
 Weight: 0.7Kg



- Mounting feet centres 105mm x 71mm
- Mounting hole centres 110mm x 6.6mm

| Model type | Primary current | VA at Class 3 | VA at Class 1 | VA at Class 0.5 |
|-------------|-----------------|---------------|---------------|-----------------|
| MB5Z-750/5 | 750 | 15 | 7.5 | 2.5 |
| MB5Z-800/5 | 800 | 20 | 10 | 2.5 |
| MB5Z-1000/5 | 1000 | 22.5 | 15 | 7.5 |
| MB5Z-1200/5 | 1200 | 30 | 20 | 10 |
| MB5Z-1250/5 | 1250 | 30 | 20 | 15 |
| MB5Z-1500/5 | 1500 | 30 | 20 | 15 |
| MB5Z-1600/5 | 1600 | 30 | 20 | 15 |
| MB5Z-2000/5 | 2000 | 30 | 20 | 15 |
| MB5Z-2400/5 | 2400 | 30 | 20 | 15 |
| MB5Z-2500/5 | 2500 | 30 | 20 | 15 |
| MB5Z-3000/5 | 3000 | 30 | 20 | 15 |
| MB5Z-4000/5 | 4000 | 30 | 20 | 15 |

Ordering Codes

As above Change end suffix to depict required secondary.
 For example: MB5Z-1600/1

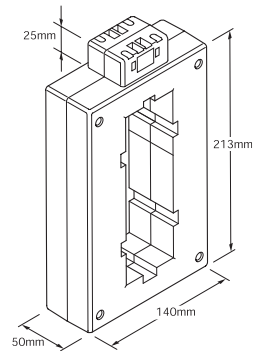
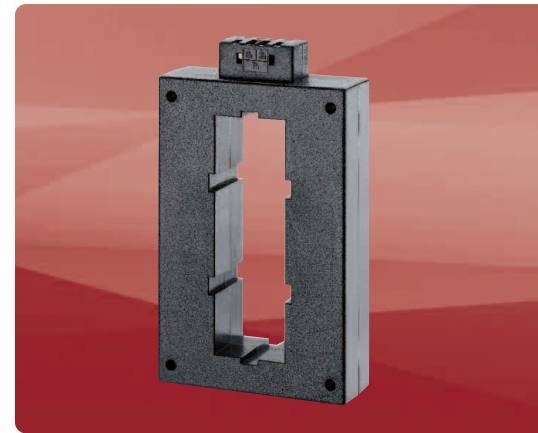
MC5T Range

Case Size: 140mm wide x 50mm deep x 238mm high
 5.5" wide x 2" deep x 9.3" high
 Aperture: 160 x 50mm
 6.3" x 2"
 Weight: +/-1.5Kg

| Model type | Primary current | VA at Class 3 | VA at Class 1 | VA at Class 0.5 |
|-------------|-----------------|---------------|---------------|-----------------|
| MC5T-1600/5 | 1600 | 45 | 30 | 20 |
| MC5T-2000/5 | 2000 | 45 | 30 | 20 |
| MC5T-2500/5 | 2500 | 60 | 45 | 30 |
| MC5T-3000/5 | 3000 | 60 | 45 | 30 |
| MC5T-3200/5 | 3200 | 60 | 45 | 30 |
| MC5T-4000/5 | 4000 | 60 | 45 | 30 |
| MC5T-5000/5 | 5000 | 60 | 45 | 30 |
| MC5T-6000/5 | 6000 | 60 | 45 | 30 |

Ordering Codes

As above Change end suffix to depict required secondary.
 For example: MC5T-1600/1



- Hole for M6 diameter screws or busbar mounting

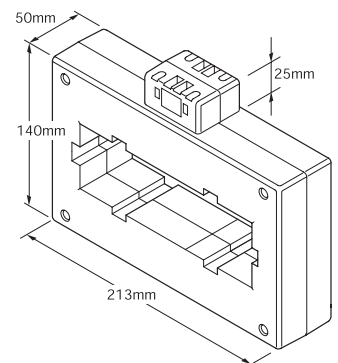
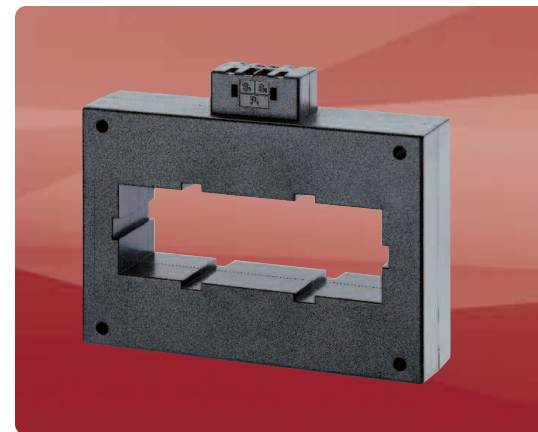
MD5T Range

Case Size: 213mm wide x 50mm deep x 165mm high
 8.3" wide x 2" deep x 6.5" high
 Aperture: 160 x 50mm
 6.3" x 2"
 Weight: +/-1.5Kg

| Model type | Primary current | VA at Class 3 | VA at Class 1 | VA at Class 0.5 |
|-------------|-----------------|---------------|---------------|-----------------|
| MD5T-1600/5 | 1600 | 45 | 30 | 20 |
| MD5T-2000/5 | 2000 | 45 | 30 | 20 |
| MD5T-2500/5 | 2500 | 60 | 45 | 30 |
| MD5T-3000/5 | 3000 | 60 | 45 | 30 |
| MD5T-3200/5 | 3200 | 60 | 45 | 30 |
| MD5T-4000/5 | 4000 | 60 | 45 | 30 |
| MD5T-5000/5 | 5000 | 60 | 45 | 30 |
| MD5T-6000/5 | 6000 | 60 | 45 | 30 |

Ordering Codes

As above Change end suffix to depict required secondary.
 For example: MD5T-1600/1



- Hole for M6 diameter screws or busbar mounting

Moulded Case Overview Range

| Type | MA5Y | | M53Q | | M55E | | M53J | | M65F | | M63N | | MA5G | | M93L | |
|----------------------------------|---------|---|------|---|------|---|-------|---|-------|---|-------|---|-------|---|-------|---|
| Inside diameter (mm) | | | 21 | | 16.2 | | 25 | | 23 | | 32 | | 36 | | 32 | |
| Busbar | M8 Stud | | 20x6 | | 15x5 | | 30x10 | | 20x10 | | 40x10 | | 40x10 | | 50x10 | |
| | | | | | | | 25x15 | | | | | | 30x30 | | 40x30 | |
| | | | | | | | 20x20 | | | | | | | | | |
| Dimensions (mm) | | | | | | | | | | | | | | | | |
| Height | 116 | | 65 | | 80 | | 80 | | 94 | | 94 | | 116 | | 131 | |
| Width | 77 | | 45 | | 50 | | 50 | | 60 | | 60 | | 77 | | 90 | |
| Depth | 50 | | 30 | | 50 | | 50 | | 50 | | 30 | | 50 | | 30 | |
| DIN-rail mounting | X | X | X | X | X | X | X | X | X | X | X | X | X | X | X | X |
| Foot mounting | X | X | X | X | X | X | X | X | X | X | X | X | X | X | X | X |
| Integrated terminal cover | X | X | X | X | X | X | X | X | X | X | X | X | X | X | X | X |
| Secondary | 5 | 1 | 5 | 1 | 5 | 1 | 5 | 1 | 5 | 1 | 5 | 1 | 5 | 1 | 5 | 1 |
| Primary current | | | | | | | | | | | | | | | | |
| 1 | X | X | | | | | | | | | | | | | | |
| 5 | X | X | | | | | | | | | | | | | | |
| 10 | X | X | | | | | | | | | | | | | | |
| 15 | X | X | | | | | | | | | | | | | | |
| 20 | X | X | | | X | X | | | | | | | | | | |
| 30 | X | X | | | X | X | | X | X | | | | | | | |
| 40 | X | X | | | X | X | | X | X | | | | | | | |
| 50 | | | X | X | X | X | | X | X | | | | | | | |
| 60 | | | X | X | X | X | | X | X | | | | | | | |
| 75 | | | X | X | X | X | | X | X | | | | | | | |
| 80 | | | X | X | X | | | X | X | | | | | | | |
| 100 | | | X | X | X | X | X | X | X | | | X | X | | | |
| 125 | | | X | X | | | X | X | X | | | X | X | | | |
| 150 | | | X | X | | | X | X | X | | | X | X | | | |
| 160 | | | | | | | X | | | | | | | | | |
| 200 | | | X | X | | | X | X | X | X | X | X | X | | | |
| 250 | | | X | X | | | X | X | X | X | X | X | X | | | |
| 300 | | | X | X | | | X | X | X | X | X | X | X | | | |
| 400 | | | | | | | X | | | | X | X | X | X | X | |
| 500 | | | | | | | | | | | X | X | X | X | X | |
| 600 | | | | | | | | | | | X | X | X | X | X | |
| 750 | | | | | | | | | | | X | X | X | X | X | |
| 800 | | | | | | | | | | | X | X | X | X | X | |
| 1000 | | | | | | | | | | | | X | X | X | X | |
| 1200 | | | | | | | | | | | | | | | X | |
| 1250 | | | | | | | | | | | | | | | | |
| 1500 | | | | | | | | | | | | | | | | X |
| 1600 | | | | | | | | | | | | | | | | X |
| 2000 | | | | | | | | | | | | | | | | |
| 2500 | | | | | | | | | | | | | | | | |
| 3000 | | | | | | | | | | | | | | | | |
| 3200 | | | | | | | | | | | | | | | | |
| 4000 | | | | | | | | | | | | | | | | |
| 5000 | | | | | | | | | | | | | | | | |
| 6000 | | | | | | | | | | | | | | | | |
| 5 + 5 = 5 | | | | | | | | | | | | | | | | |
| 5 + 5 + 5 = 5 | | | | | | | | | | | | | | | | |
| 5 + 5 + 5 + 5 = 5 | | | | | | | | | | | | | | | | |
| 5 + 5 + 5 + 5 + 5 = 5 | | | | | | | | | | | | | | | | |
| 5 + 5 + 5 + 5 + 5 + 5 = 5 | | | | | | | | | | | | | | | | |
| 1 + 1 = 1 | | | | | | | | | | | | | | | | |
| 1 + 1 + 1 = 1 | | | | | | | | | | | | | | | | |
| 1 + 1 + 1 + 1 = 1 | | | | | | | | | | | | | | | | |
| 1 + 1 + 1 + 1 + 1 = 1 | | | | | | | | | | | | | | | | |
| 1 + 1 + 1 + 1 + 1 + 1 = 1 | | | | | | | | | | | | | | | | |

Moulded Case Overview Range

| Type | M93S | | M93R | | MB5D | | MB5Z | | MC5T | | MD5T | | S95 | | S97 | |
|----------------------------------|---------|---|---------|---|-------|---|--------|---|--------|---|--------|---|-----|---|-----|---|
| Inside diameter (mm) | | | | | 63 | | 35 | | | | | | | | | |
| Busbar | 60x30 | | 60x30 | | 80x30 | | 104x35 | | 50x160 | | 160x50 | | | | | |
| | 76.5x19 | | 64x12.6 | | 60x30 | | | | | | | | | | | |
| | | | | | 50x50 | | | | | | | | | | | |
| Dimensions (mm) | | | | | | | | | | | | | | | | |
| Height | 131 | | 131 | | 156 | | 156 | | 238 | | 165 | | 144 | | 144 | |
| Width | 90 | | 90 | | 134 | | 134 | | 140 | | 213 | | 90 | | 90 | |
| Depth | 30 | | 30 | | 50 | | 50 | | 50 | | 50 | | 50 | | 70 | |
| DIN-rail mounting | X | X | X | X | | | | | | | | | X | X | | |
| Foot mounting | X | X | X | X | X | X | X | X | | | | | X | X | X | X |
| Integrated terminal cover | X | X | X | X | X | X | X | X | X | X | X | | | | | |
| Secondary | 5 | 1 | 5 | 1 | 5 | 1 | 5 | 1 | 5 | 1 | 5 | 1 | 5 | 1 | 5 | 1 |
| Primary current | | | | | | | | | | | | | | | | |
| 5 | | | | | | | | | | | | | | | | |
| 10 | | | | | | | | | | | | | | | | |
| 15 | | | | | | | | | | | | | | | | |
| 20 | | | | | | | | | | | | | | | | |
| 25 | | | | | | | | | | | | | | | | |
| 30 | | | | | | | | | | | | | | | | |
| 40 | | | | | | | | | | | | | | | | |
| 50 | | | | | | | | | | | | | | | | |
| 60 | | | | | | | | | | | | | | | | |
| 75 | | | | | | | | | | | | | | | | |
| 80 | | | | | | | | | | | | | | | | |
| 100 | | | | | | | | | | | | | | | | |
| 125 | | | | | | | | | | | | | | | | |
| 150 | | | | | | | | | | | | | | | | |
| 160 | | | | | | | | | | | | | | | | |
| 200 | | | | | | | | | | | | | | | | |
| 250 | | | | | | | | | | | | | | | | |
| 300 | | | | | | | | | | | | | | | | |
| 400 | | | | | | X | X | | | | | | | | | |
| 500 | | | | | | X | X | | | | | | | | | |
| 600 | | | | | | X | X | | | | | | | | | |
| 750 | | | | | | X | X | X | X | | | | | | | |
| 800 | X | X | X | X | X | X | X | X | X | | | | | | | |
| 1000 | X | X | X | X | X | X | X | X | X | | | | | | | |
| 1200 | X | X | X | X | X | X | X | X | X | | | | | | | |
| 1250 | X | X | X | X | X | X | X | X | X | | | | | | | |
| 1500 | X | X | X | X | X | X | X | X | X | | | | | | | |
| 1600 | X | X | X | X | X | X | X | X | X | X | X | X | | | | |
| 2000 | X | X | X | X | X | X | X | X | X | X | X | X | | | | |
| 2500 | | | | | | | | X | X | X | X | X | | | | |
| 3000 | | | | | | | | X | X | X | X | X | | | | |
| 4000 | | | | | | | | X | X | X | X | X | | | | |
| 5000 | | | | | | | | | X | | X | | | | | |
| 6000 | | | | | | | | | X | | X | | | | | |
| 5 + 5 = 5 | | | | | | | | | | | | | X | | | |
| 5 + 5 + 5 = 5 | | | | | | | | | | | | | X | | | |
| 5 + 5 + 5 + 5 = 5 | | | | | | | | | | | | | | | X | |
| 5 + 5 + 5 + 5 + 5 = 5 | | | | | | | | | | | | | | | X | |
| 5 + 5 + 5 + 5 + 5 + 5 = 5 | | | | | | | | | | | | | | | X | |
| 1 + 1 = 1 | | | | | | | | | | | | | | X | | |
| 1 + 1 + 1 = 1 | | | | | | | | | | | | | | X | | |
| 1 + 1 + 1 + 1 = 1 | | | | | | | | | | | | | | | | X |
| 1 + 1 + 1 + 1 + 1 = 1 | | | | | | | | | | | | | | | | X |
| 1 + 1 + 1 + 1 + 1 + 1 = 1 | | | | | | | | | | | | | | | | X |

About TE Connectivity

TE Connectivity is a global, \$12.1 billion company that designs and manufactures over 500,000 products that connect and protect the flow of power and data inside the products that touch every aspect of our lives. Our nearly 100,000 employees partner with customers in virtually every industry – from consumer electronics, energy and healthcare, to automotive, aerospace and communication networks – enabling smarter, faster, better technologies to connect products to possibilities.

While TE Connectivity (TE) has made every reasonable effort to ensure the accuracy of the information in this catalogue, TE does not guarantee that it is error-free, nor does TE make any other representation, warranty or guarantee that the information is accurate, correct, reliable or current. TE reserves the right to make any adjustments to the information contained herein at any time without notice. TE expressly disclaims all implied warranties regarding the information contained herein, including, but not limited to, any implied warranties of merchantability or fitness for a particular purpose. The dimensions in this catalogue are for reference purposes only and are subject to change without notice. Specifications are subject to change without notice. Consult TE for the latest dimensions and design specifications. TE Connectivity and TE connectivity (logo) are trademarks. CROMPTON is a trademark of Crompton Parkinson Limited and is used under licence. Other trademarks are property of their respective owners.

TE Energy – innovative and economical solutions for the electrical power industry: cable accessories, connectors & fittings, insulators & insulation, surge arresters, switching equipment, street lighting, power measurement and control.

Tyco Electronics UK Ltd

TE Energy
Freebournes Road
Witham, Essex CM8 3AH

Registered office:

Faraday Road, Dorcan
Swindon, SN3 5HH
Reg. no. 550 926

Phone: +44 (0)870 870 7500
Fax: +44 (0)870 240 5287
Email: crompton.info@te.com

<http://energy.te.com>
www.crompton-instruments.com

